

## SFPA6925N2

### SMEG BLACK ENAMEL VICTORIA OVEN



EAN 8017709250553

Finish	Black enamel
Total functions	16
Display	Large LCD
Capacity	79 Litres
Cooking levels	5
Thermostat	30 - 280°C
Installation	Flush, underbench or wallmount
Programmability	Fully programmable
Cleaning	Smeg Ever Clean enamel, Pyrolytic / ECO Pyrolytic
Lighting	2 x 40W halogen
Supplied accessories	1 x Chrome grill insert 2 x Chrome shelves 1 x 20mm enamelled baking tray 1 x 40mm enamelled baking tray 1 x Total telescopic guides
Optional accessories	PRTX - Pizza Stone PPR2 - Gourmet Cooking Stone PALPZ - Single-handle pizza paddle SSDPLUS - Baking Dish GT1P-2 - Partial telescopic guides GT1T-2 - Total telescopic guides
Safety	Cool Door technology, Soft Close door, thermal protection system, child safety lock, controls lock
Dimensions	597mmW x 592mmH x 548mmD
Power	220-240 V 50/60 Hz 13A
Warranty	Two years parts and labour



### THERMOSEAL

The seal of Smeg's quality, technical excellence and taste: succulent roasts, crisp pastry and impressive baking is achieved in Smeg's unique, perfectly controlled cooking environment. ThermoSeal maintains the perfect atmospheric balance in the cavity for optimum cooking conditions.



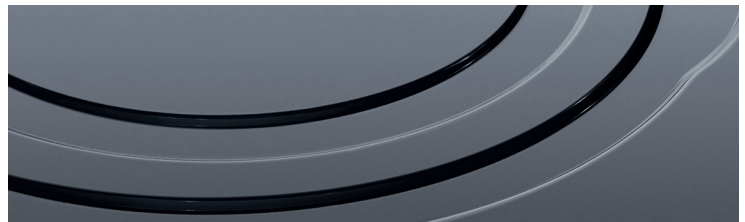
### PYROLYTIC CLEANING

Smeg's pyrolytic cycle locks the door and heats the oven to around 500°C. This process carbonises any food residue or burnt-on grease to a small amount of ash, which can be simply wiped away with a damp cloth. Smeg also has Eco Pyro - the low energy option.



### EVER CLEAN ENAMEL

The superior quality of Smeg's patented Ever Clean enamel, which is highly durable and easy to clean, is the result of nearly 70 years of enameling expertise; ensuring long-life performance of every Smeg oven.



### COOL DOOR TECHNOLOGY

Smeg's Cool Door system is a combination of technologies which is driven by a 22 blade tangential fan and includes a heat exchange baffle system. It draws cool air up through the panes of heat-reflective glass in the door, making it safe to the touch even when the oven is at pyrolytic temperatures of around 500°C.



### SMARTSENSE

Smeg's SmartSense intuitive program selection is easy-to-read in the large LCD panel. Effortlessly select oven functions, temperature and time for cooking; enter the time you want your meal to be ready and your delay start is calculated for you; or cook 20 pre-programmed favourites at the flick of a button.

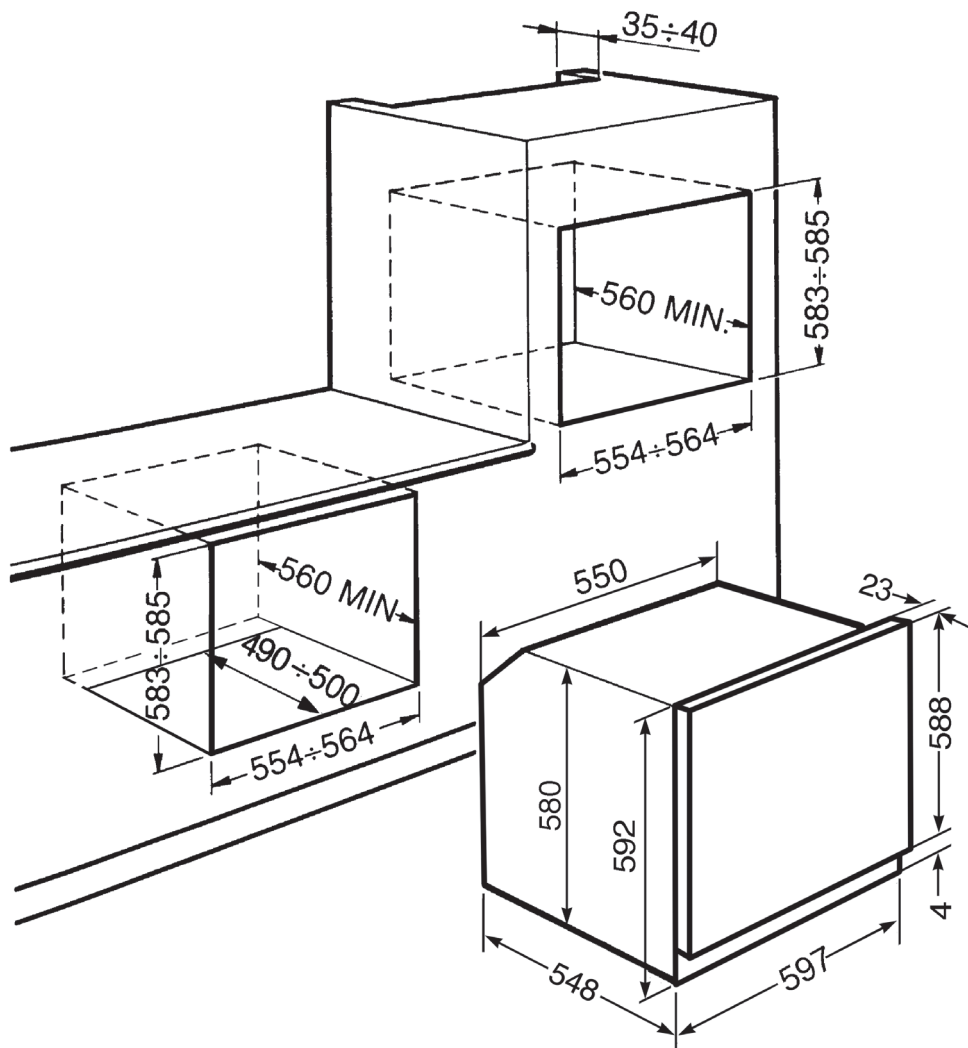
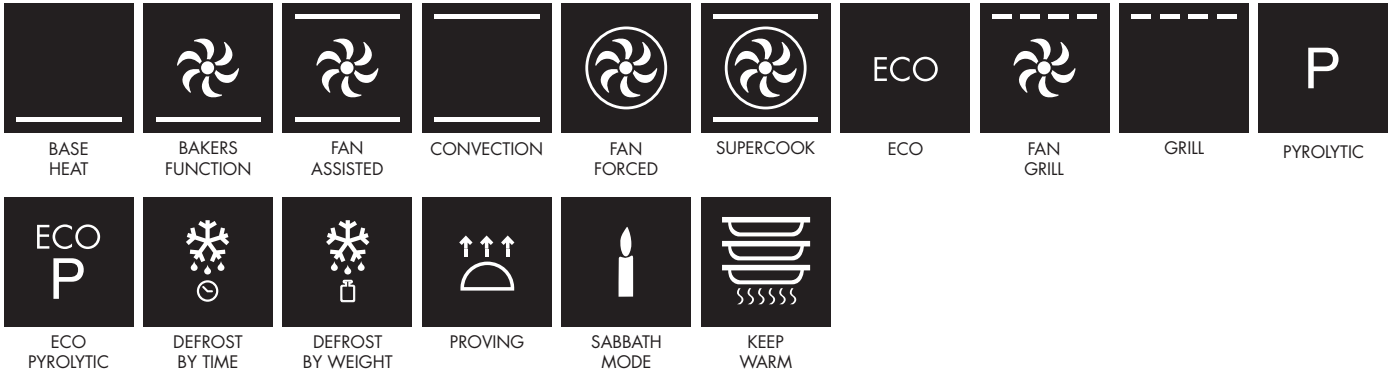


### SOFT CLOSE DOOR

The new soft-close mechanism on Smeg's oven doors ensures a two-stage soft and quiet close. Smeg's quality hinges also ensure the door will not drop on opening, an intrinsic safety feature.

SFPA6925N2  
SMEG BLACK ENAMEL VICTORIA OVEN

FUNCTIONS:



PLEASE NOTE: drawings are not to scale. They are to assist only.  
 WARNING: technical specifications and product sizes can be varied by the manufacturer without notice.  
 Cutouts for appliances should only be by physical product measurements. The above information is indicative only.